

# Technical Bulletin

Bulletin Number: 321 Revision Number: R-06

Release Date: June 11, 1987 Revision Date: January 13, 2000

**SUBJECT:** SECURITY CASH BOX SHELF & LOCKING CASH BOX

**MODELS:** A. All DNCB Coke Landscape Venders (See pages 1, 2 & 4)  
**EXCEPT: DNCB 180CC**

B. DNCB Coke Landscape 180CC Venders only (See pages 3 & 4)

**REASON:** To install a Cash Box Shelf on the vender which gives additional security to the Cash Box (by enveloping it with metal). Also, to install a locking Cash Box in each vender as a standard production procedure.

**BEGINNING SERIAL NUMBER:** 0001-2984BL and up will have the Security Cash Box Shelf factory installed.

**BEGINNING SERIAL NUMBER:** 0001-2987BL and up will have the Locking Cash Box factory installed.  
(Kits & Installation for all DNCB Coke Landscape/Venders Except DNCB 180CC).

**(IMPORTANT: Note vender serial number when ordering Locking Cash Box Kits.)**

**Kit 1 (B/M)432,011,40x.x4** [For Landscape Venders Serialized 0001-2949DK to 0001-2984BL]

**Consists of:**

1	801,501,94x.x1	Lock & Keys
1	801,502,04x.x1	Cam
3	901,100,61x.x1	Pop Rivet, Steel
1	432,051,80x.x3	Lockable Cash Box-W/A
1	432,050,18x.x3	Cash Box Shelf
1	432,010,29x.x3	Coin Deflector
1	900,800,88x.x1	Nut Lock Barrel
1	900,700,83x.x1	Washer, Flat 18 Ga.
1	900,801,17x.x1	Nut, Cam

**Kit 2 (B/M)432,011,60x.x4** [For Venders Serialized 001-2984BL to 0001-2987BL]

**Consists of:**

1	801,501,94x.x1	Lock & Keys
1	801,502,04x.x1	Cam
2	901,100,61x.x1	Pop Rivet, Steel
1	432,051,80x.x3	Lockable Cash Box-W/A
1	432,010,29x.x3	Coin Deflector
1	900,800,88x.x1	Nut Lock Barrel
1	900,700,83x.x1	Washer, Flat 18 Ga.
1	900,801,17x.x1	Nut, Cam

**Kit 3 (B/M432,011,50x.x4)****[For Landscape Venders Serialized 0001-2987BL and up]****Consists of:**

1	801,501,94x.x1	Lock & Keys
1	801,502,04x.x1	Cam
2	901,100,61x.x1	Pop Rivet, Steel
1	432,010,29x.x3	Coin Deflector
1	900,800,88x.x1	Nut Lock Barrel
1	900,700,83x.x1	Washer, Flat 18 Ga.
1	900,801,17x.x1	Nut, Cam

**Kit Installation Procedures****The letter "N" represents "NO".****The letter "Y" represents "YES".****NOTE: Follow only those steps that is represented with a "Y".****Installation procedures:**

	<b>Kit 1</b>	<b>Kit 2</b>	<b>Kit 3</b>
1. Remove the original cash box.	Y	Y	N
2. Remove the original cash box shelve.	Y	N	N
3. Place the new cash box shelf into position by sliding the right-side flat metal projection through the vertical bulkhead (at right).	Y	N	N
4. Secure cash box shelf (on left side) with pop rivet (supplied with kit).	Y	N	N
5. Insert lock in hole provided in cash box. See figure 1 on page 4.	Y	Y	Y
6. Thread lock nut on barrel and tighten it. See figure 1 on page 4.	Y	Y	Y
7. Install cam on end of barrel and secure it with screw. See figure 1 on page 4.	Y	Y	Y
8. Locate the two (2) pre-punched holes (to the right) of the lock hole.	Y	Y	Y
9. Place the coin deflector inside of the cash box (joggle up), align the holes in the two (2) parts and secure with rivets provided. (Deflector will only fit one way). See figures 1 and 2 on page 4.	Y	Y	Y

**Kits & Installation For DNCB 180 Coke Landscape Venders Only.**

Important: Note vender serial number when ordering locking Cash Box Kits.

**Kit 4 (B/M445,010,10x.x4) [For Landscape Venders serialized prior to 0001-2990CL]**

**Consists of:**

1	801,501,94x.x1	Lock & Keys
1	801,502,04x.x1	Cam
1	445,050,16x.x3	Cash Box Enclosure
1	445,050,80x.x3	Lockable Cash Box
1	445,010,01x.x3	Coin Deflector
1	900,301,65x.x1	Self-Drilling Screw
2	901,100,61x.x1	Pop Rivet, Steel
1	900,800,88x.x1	Nut Lock Barrel
1	900,700,83x.x1	Washer, Flat 18 Ga.
1	900,801,17x.x1	Nut, Cam

**Kit 5 (B/M445,010,20x.x4) [For Landscape Venders serialized: 0001-2990CL & up]**

**Consists of:**

1	801,501,94x.x1	Lock & Keys
1	801,502,04x.x1	Cam
1	445,010,01x.x3	Coin Deflector
2	901,100,61x.x1	Pop Rivet, Steel
1	900,800,88x.x1	Nut Lock Barrel
1	900,700,83x.x1	Washer, Flat 18 Ga.
1	900,801,17x.x1	Nut, Cam

**Note: Follow only those steps that is represented with a "Y" (For Kit#.)**

**Installation procedures:**

	<b>Kit 4</b>	<b>Kit 5</b>
1. Remove the original cash box.	Y	Y
2. At top left, remove nut from protruding threading stud.	Y	N
3. Put cash box enclosure in place in cash box area.	Y	N
4. Locate small hole (top left) in enclosure.	Y	N
5. Align small hole in top left of enclosure with protruding thread stud (from which nut was removed.)	Y	N
6. Insert the self-drilling screw (provided) in the small hole in the bottom left of enclosure and secure.	Y	N
7. Insert lock in hole provided in cash box. See figure 1, page 4.	Y	Y
8. Next, run lock's nut onto barrel and tighten. See figure 1 below.	Y	Y
9. Install cam on end of barrel and secure with screw. See figure 1, page 4.	Y	Y
10. Locate the two (2) pre-punched holes (to the right) of the lock hole.	Y	Y
11. Place the deflector inside cash box (joggle up) align the holes in the two (2) parts and secure with rivets provided (deflector will only fit one way). See figures 1 and , page 4.	Y	Y

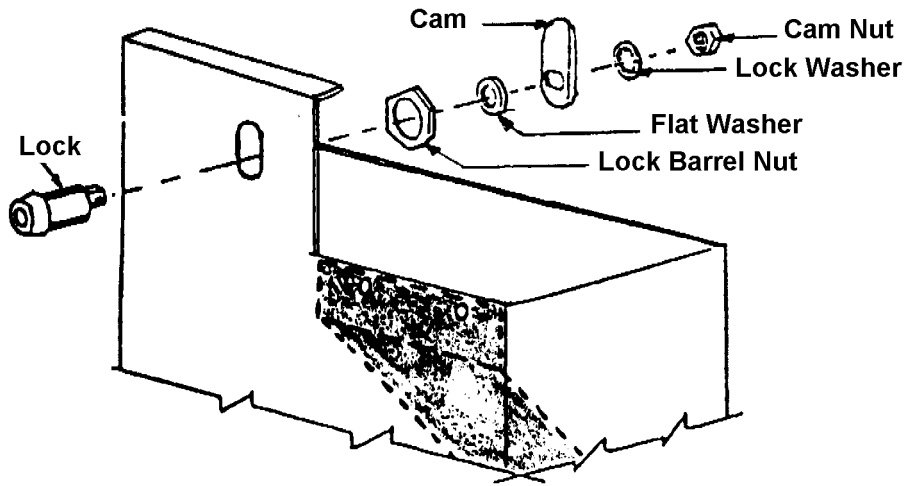


Figure 1

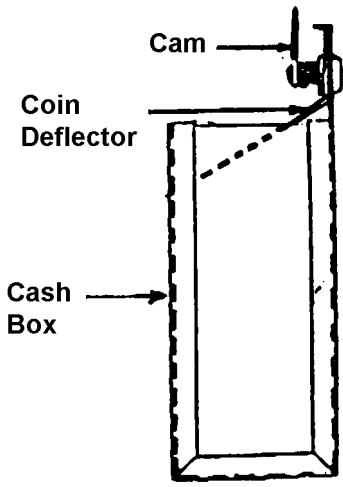


Figure 2